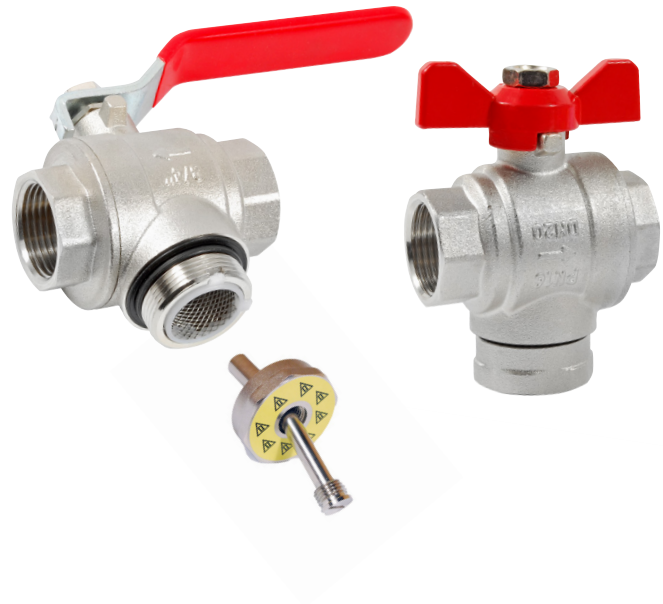


Filter ball valve 486 and 487

- Body in nickel-plated brass
- Female thread 3/4" – 2"
- Changeable stainless strainer insert
- Rod magnet
- Lever or T-handle



Description

Ball valve with strainer insert and rod magnet.

Construction

Ball valve in nickel-plated brass.

Changeable strainer insert, mesh 0,6 mm. Gaskets in PTFE.

Seals in EPDM between cap and body.

Rod magnet for collecting magnetite.

Model 486

Connection female thread 3/4" – 2", steel lever.

Model 486K

Connection female thread 3/4" – 2", key grip.

Model 487

Connection female thread 3/4" – 1", T-handle.

Marking

DN, PN and flow direction arrow. Company logotype on lever.

Maintenance

Close the filter ball valve and clean the strainer insert and the rod magnet when necessary. The ball valve must be operated periodically, two to three times a year. For more information, please see Impel's website.

Technical data

Body	Nickel-plated brass CW617N
Stem gasket	PTFE
Rod magnet	NdFeB Neodymium
Strainer insert	Stainless steel SS304
Cap seal (o-ring)	EPDM
Cap seal (gasket)	EPDM
Ball seal	PTFE

Maximum working pressure: 16 bar

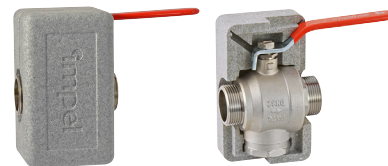
Maximum working temperature: 100°C

Minimum working temperature: –20°C

Kv values: see chart on next page.

Optional accessories

Insulation for 486 and 486K.



1" 0752100225 (only insulation)

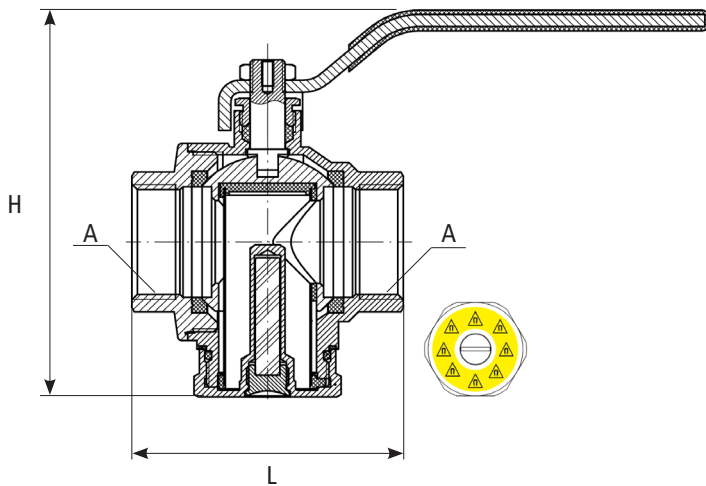
1 1/4" 0752100232 (only insulation)

For other accessories and spare parts see separate product sheet.

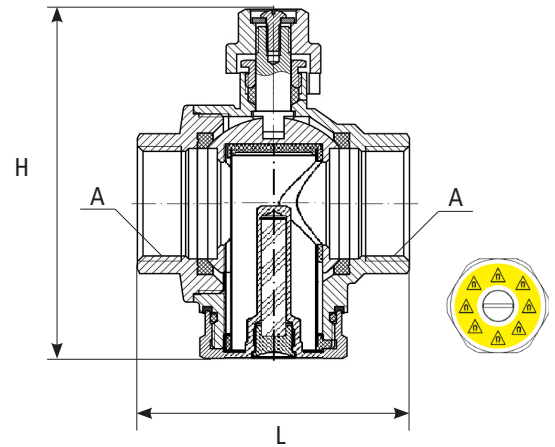
Subject to technical changes and corrections without notice

Filter ball valve 486 and 487

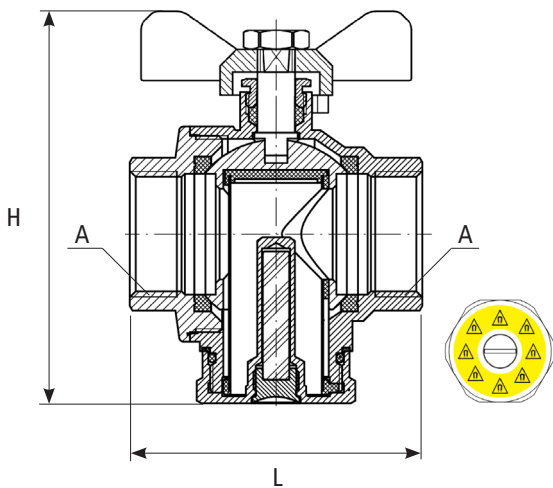
486



486K



487



Item number	Description	Connection thread A	Length L	Height H	Kv (m ³ /h)	Weight (kg)
0448602010	Filter ball valve 486-20, 3/4"F, lever, magnet	3/4"F	65	101	7,0	0,56
0448602510	Filter ball valve 486-25, 1"F, lever, magnet	1"F	78	113	12,7	0,85
0448603210	Filter ball valve 486-32, 1 1/4"F, lever, magnet	1 1/4"F	87	140	21,1	1,34
0448604010	Filter ball valve 486-40, 1 1/2"F, lever, magnet	1 1/2"F	108	146	35,9	2,07
0448605010	Filter ball valve 486-50, 2"F, lever, magnet	2"F	127	191	53,4	3,86

Item number	Description	Connection thread A	Length L	Height H	Kv (m ³ /h)	Weight (kg)
0448602001	Filter ball valve 486K-20, 3/4"F, key grip, magnet	3/4"F	65	93	7,0	0,56
0448602501	Filter ball valve 486K-25, 1"F, key grip, magnet	1"F	78	103	12,7	0,86
0448603201	Filter ball valve 486K-32, 1 1/4"F, key grip, magnet	1 1/4"F	87	122	21,1	1,36
0448604001	Filter ball valve 486K-40, 1 1/2"F, key grip, magnet	1 1/2"F	108	138	35,9	2,07
0448605001	Filter ball valve 486K-50, 2"F, key grip, magnet	2"F	127	177	53,4	3,86

Item number	Description	Connection thread A	Length L	Height H	Kv (m ³ /h)	Weight (kg)
0448702010	Filter ball valve 487-20, 3/4"F, T-handle, magnet	3/4"F	65	90	7,0	0,51
0448702510	Filter ball valve 487-25, 1"F, T-handle, magnet	1"F	78	112	12,7	0,84

All dimensions in millimetres

Subject to technical changes and corrections without notice